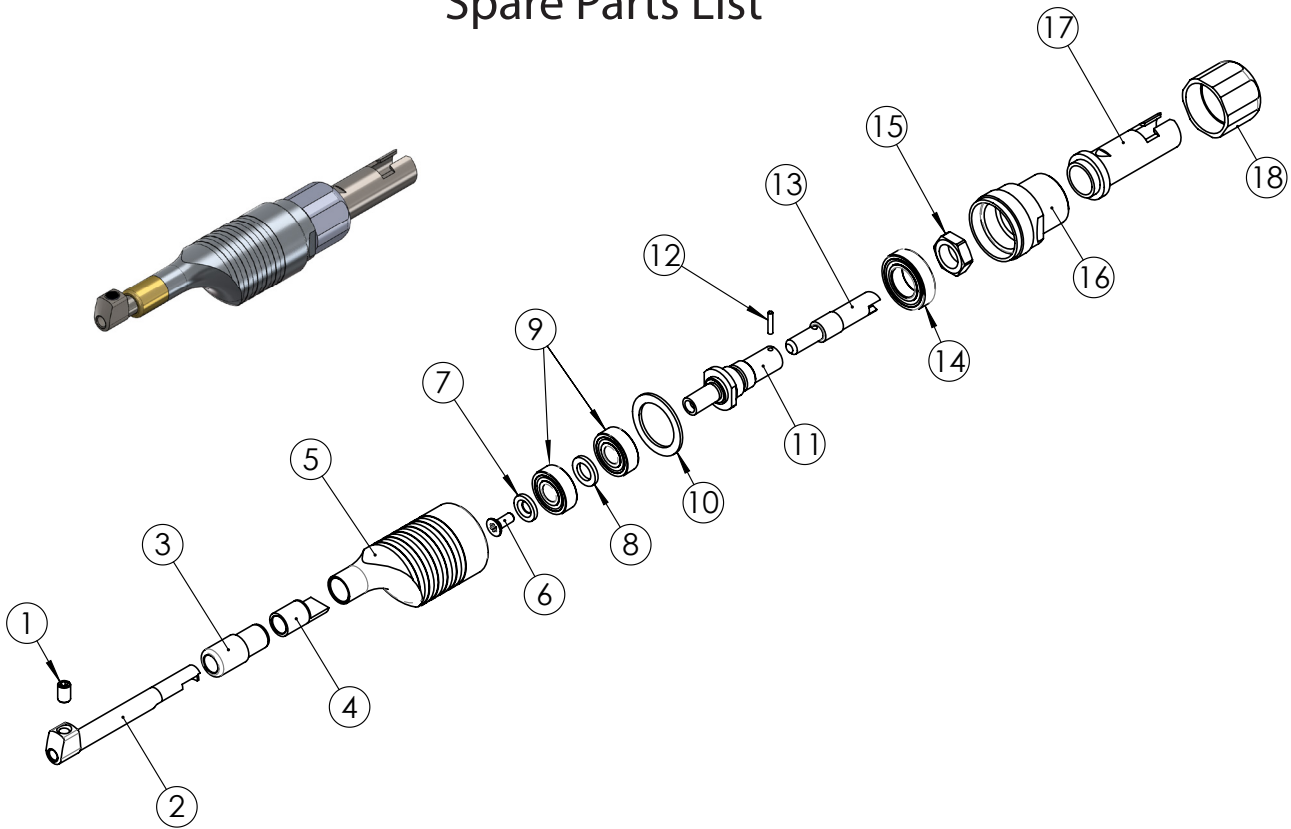


FMR/S5, FMR/S10 and FMR/S15 Spare Parts List



Pos.	Pcs.	Item No.	Description	Sub-Assembly
1	1	42038	Locking Screw	
2	1	FMR-3	Tool-Holder	
3	1	FMR-73	Guide Steering (Front-piece)	
4	1	FMR-74	Guide Steering (Back-piece)	FMR-2/P
5	1	FMR-1	Housing	
6	1	42039	Screw	
7	1	FMR-7	Bearing Washer	
8	1	FMR-8	Spacer	
9	2	44024	Ball Bearing	
10	1	FMR-9	Washer	
11	1	FMR-45/46/50*	Main Spindle	
12	1	43016	Pin	
13	1	FMR-12	Spindle Drive Mounting	
14	1	44022	Ball Bearing	
15	1	FMR-54	Nut for Main Spindle	
16	1	FMR-5	Back Piece	
17	1	FMR-13	Connecting Sleeve	
18	1	FMR-14	Spindle End Cover	

*FMR-45 for Mini polishing/filing machine FMR/S5 (stroke length 0,5 mm).

*FMR-50 for Mini polishing/filing machine FMR/S10 (stroke length 1,0 mm).

*FMR-46 for Mini polishing/filing machine FMR/S15 (stroke length 1,5 mm).