

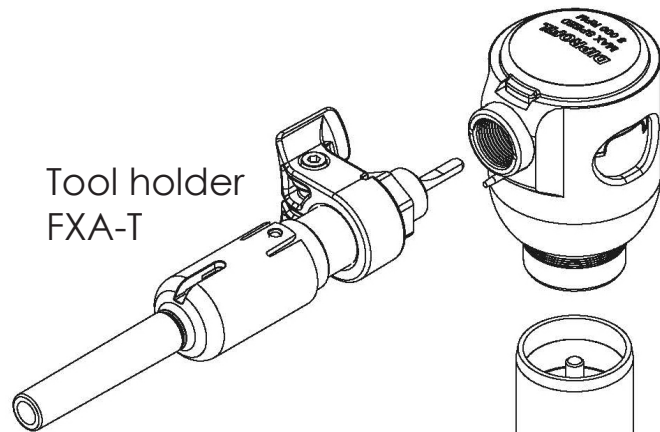


## FPM/ERJ

### Spare Parts List

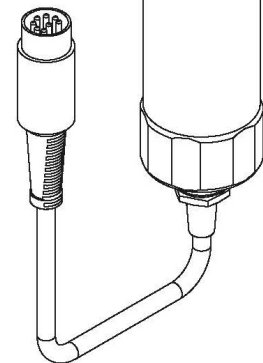
(Serial No.1823 and higher)

Machine housing FPM-G

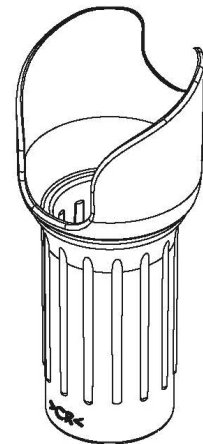


Tool holder  
FXA-T

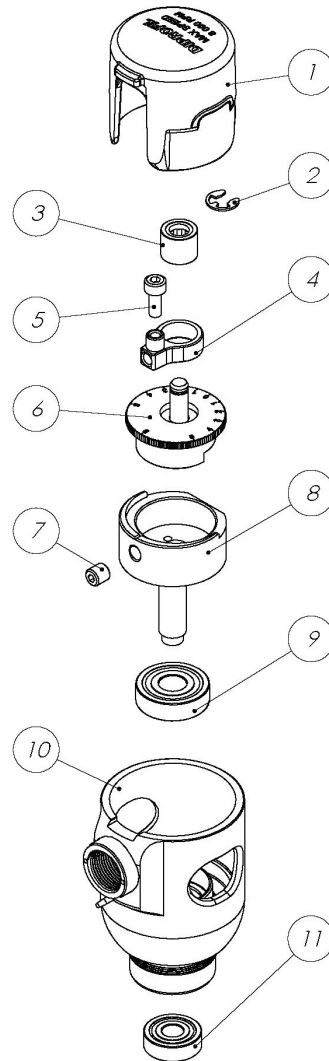
Micro motor FPM-BJ



Rubber sleeve FMM-9

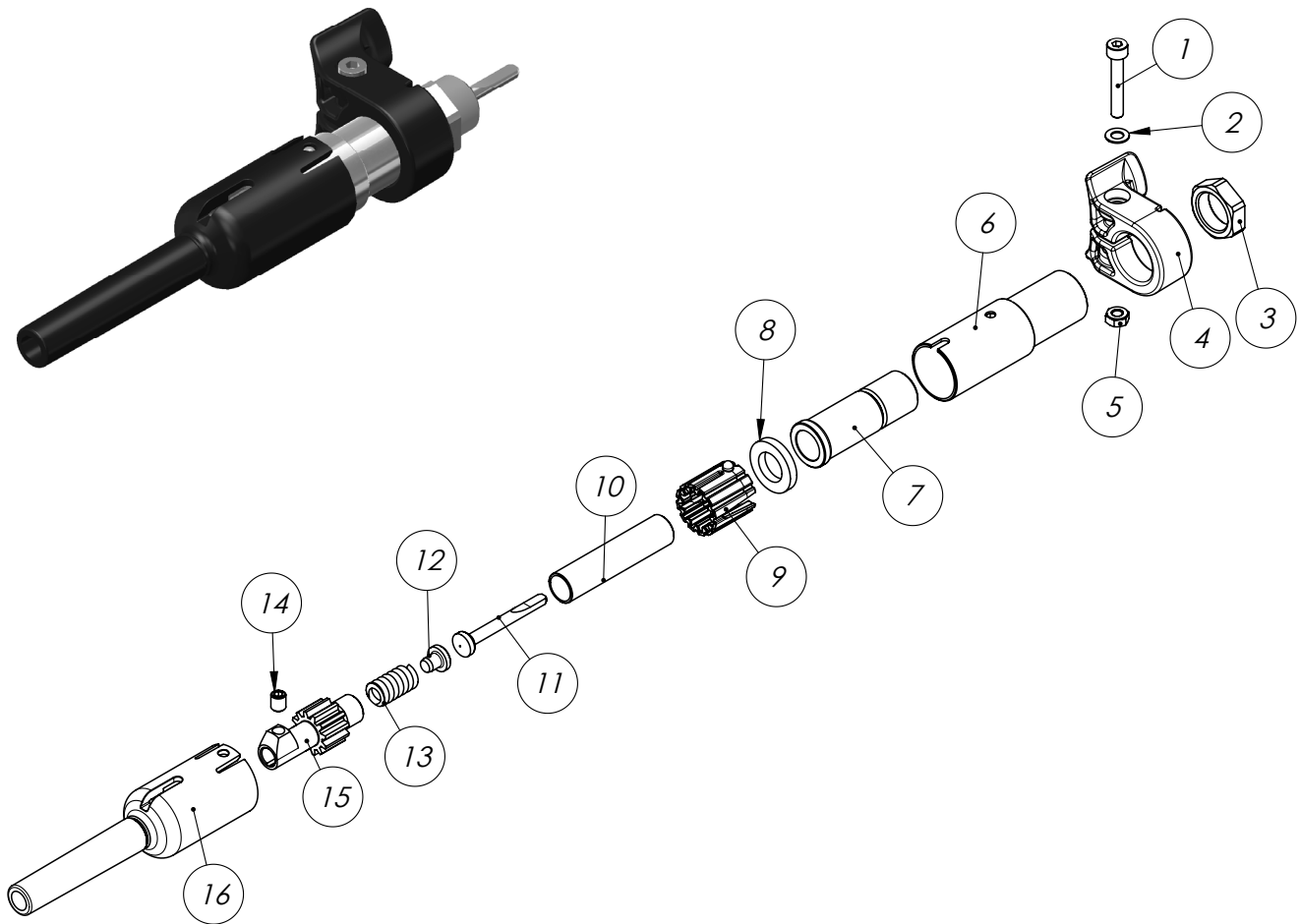


## FPM-G - Spare Parts list



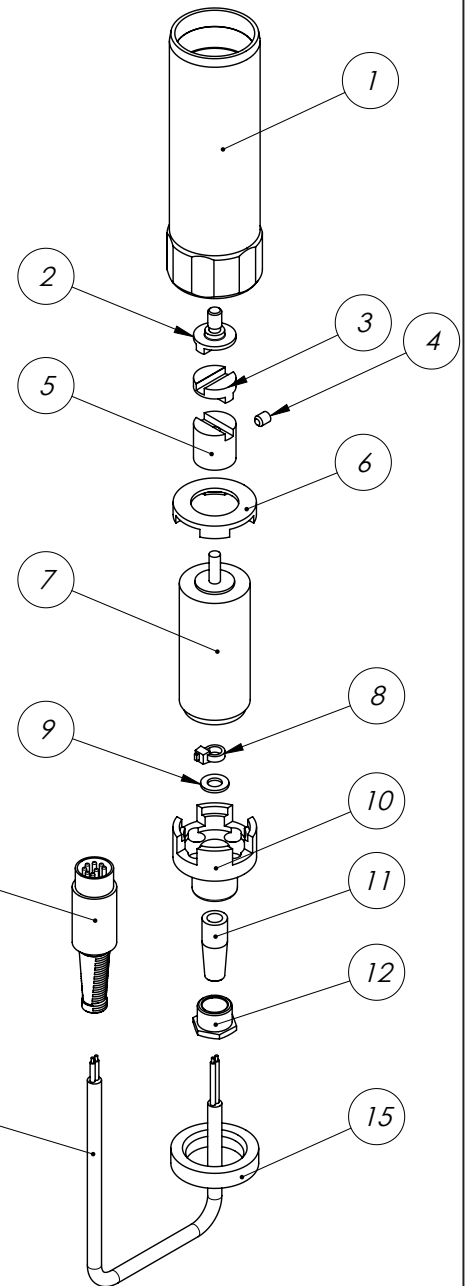
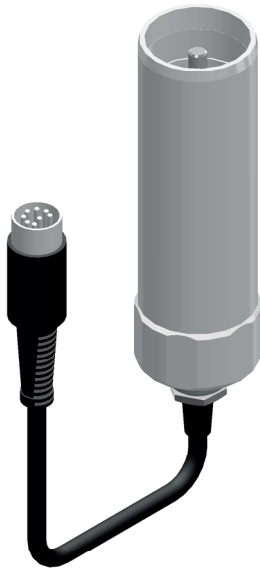
Pos.	Item No.	Description.	Units / machine	Sub-Assembly
1.	FMM-5	Machine cover	1	
2.	FNE-47	Circlip	1	
3.	FNE-102	Needle bearing	1	FNH-L
4.	FNH-11	Linkage	1	
5.	42053	Screw for connecting rod	1	
6.	FMM-K	Adjustable eccentric with shaft	1	
7.	FNE-61	Locking screw	1	
8.	FPM-1	Main spindle	1	
9.	44029	Ball bearing	1	
10.	FPM-L	Machine housing	1	
11.	44030	Ball bearing	1	

## FXA-T - Spare Parts list



Pos.	Item No.	Description.	Units / machine	Sub-Assembly
1.	42001	Screw	1	
2.	41000	Washer	1	
3.	FNH-21	Retaining nut	1	
4.	FXA-107	Guide block	1	
5.	40000	Nut	1	
6.	FXA-100	Guide sleeve	1	
7.	FXA-102	Supporting sleeve	1	
8.	FXA-106	Lubricating felt	1	
9.	FXA-103	Guide bushing	1	
10.	FXA-105	Piston	1	
11.	FNH-14	Connecting rod	1	} FXA-V
12.	FNH-16	Spring insert	1	
13.	FNH-17	Spring	1	
14.	42055	Tool locking screw	1	
15.	FXA-101	Tool holder part	1	
16.	FXA-104	Extension pipe	1	

## FPM-BJ - Spare Parts list



Pos.	Item No.	Description.	Units / machine	Sub-Assembly
1.	FPM-12	Housing	1	
2.	HPN-13	Coupling	1	
3.	HPN-14	Carrier	1	
4.	42024	Locking screw	1	
5.	FPM-15	Coupling	1	
6.	FPM-17	Front support	1	
7.	FPM-10	Micro-motor	1	
8.	49007	Strain relieve	1	
9.	41003	Washer	1	
10.	FPM-18	Back-piece	1	FPM-F
11.	48006	Protecting sleeve	1	
12.	48007	Thrust screw	1	
13.	48033	Connector	1	
14.	49000	Cable	1	
15.	HPN-19	Ring nut	1	