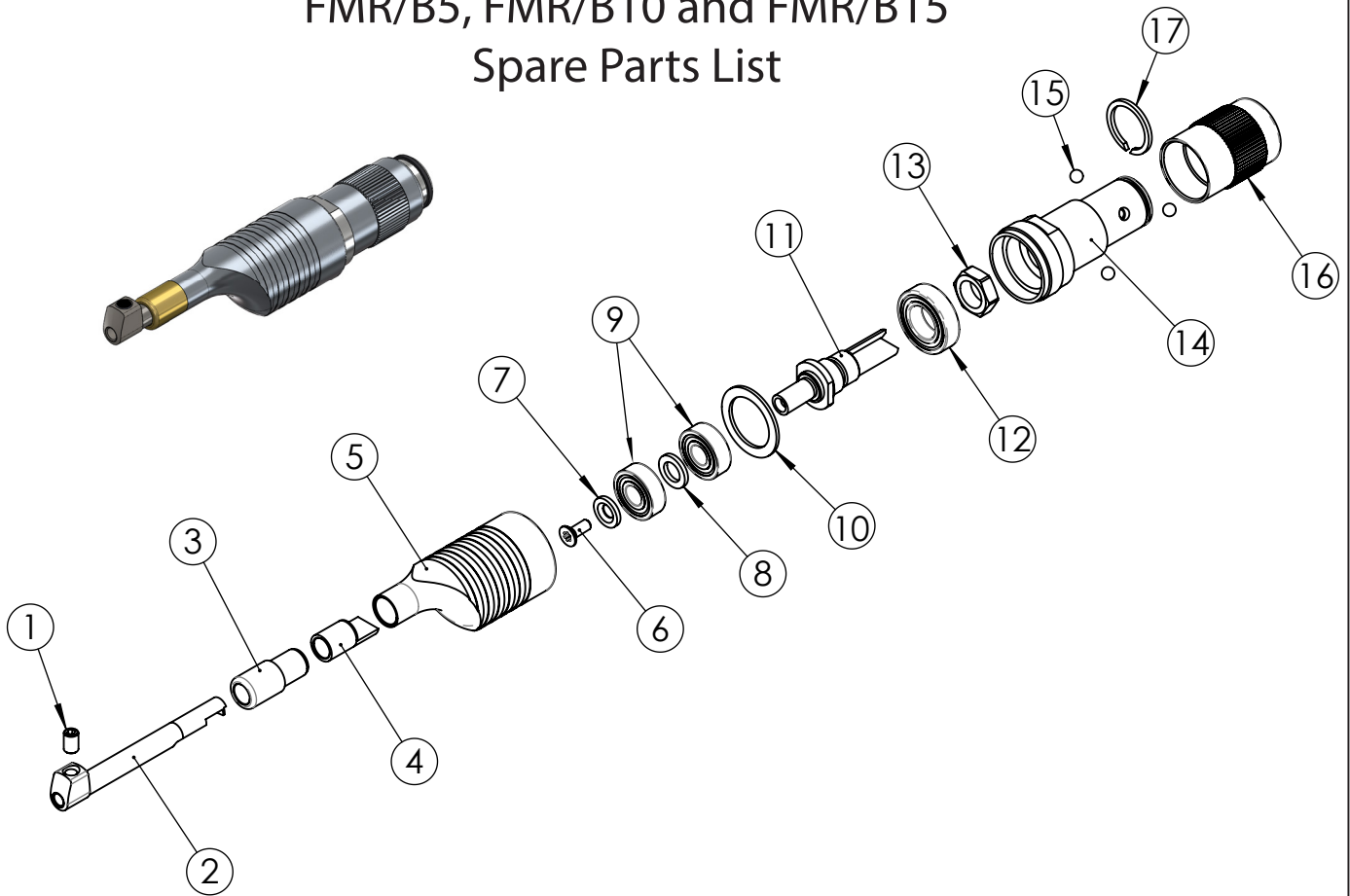


FMR/B5, FMR/B10 and FMR/B15 Spare Parts List



Pos.	Pcs.	Item No.	Description	Sub-Assembly
1	1	42038	Locking Screw	
2	1	FMR-3	Tool-Holder	
3	1	FMR-73	Guide Steering (Front-piece)	
4	1	FMR-74	Guide Steering (Back-piece)	FMR-2/P
5	1	FMR-1	Housing	
6	1	42039	Screw	
7	1	FMR-7	Bearing Washer	
8	1	FMR-8	Spacer	
9	2	44024	Ball Bearing	
10	1	FMR-9	Washer	
11	1	FMR-51/52/57*	Main Spindle	
12	1	44022	Ball Bearing	
13	1	FMR-54	Nut for Main Spindle	
14	1	FMR-31	Back Piece	
15	3	44026	Steel Ball	
16	1	FMR-32	Locking Nut	
17	1	46014	Circlip	

*FMR-51 for Mini polishing/filing machine FMR/B5 (stroke length 0,5 mm).

*FMR-57 for Mini polishing/filing machine FMR/B10 (stroke length 1,0 mm).

*FMR-52 for Mini polishing/filing machine FMR/B15 (stroke length 1,5 mm).