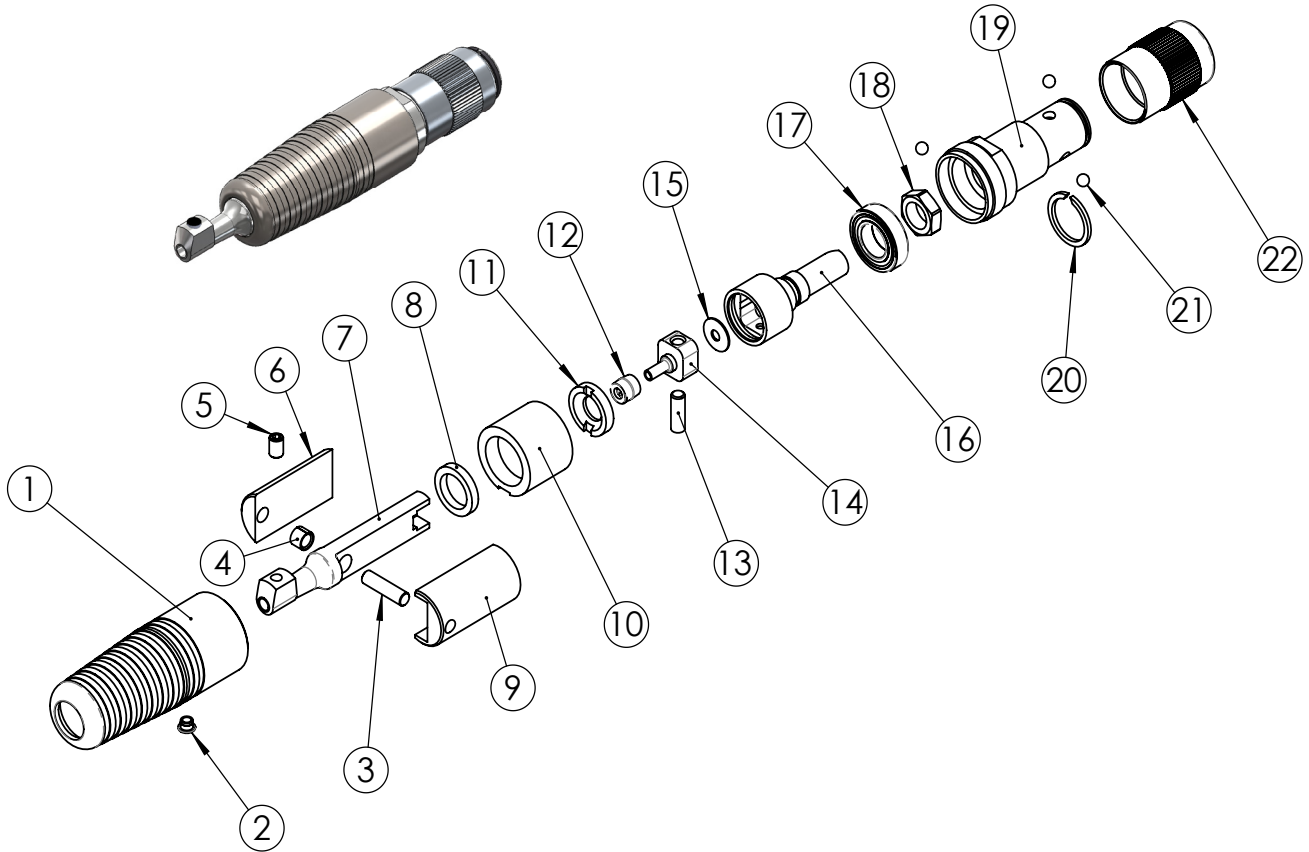


## FMV/B - Spare Parts List



Pos.	Pcs.	Item No.	Description
1	1	FMV-1	Housing
2	1	FMV-7	Bushing
3	1	43021	Pin
4	1	44028	Bushing
5	1	42038	Locking Screw
6	1	FMT-5	Upper Guide Steering
7	1	FMT-1	Tool-Holder
8	1	FMT-8	Lubricating Felt
9	1	FMT-6	Lower Guide Steering
10	1	FMV-5	Spacer
11	1	FMV-4	Eye Nut
12	1	FMT-7	Crank Bearing
13	1	FMV-6	Adjusting Screw
14	1	FMV-3	Crank Pin
15	1	41013	Cup Spring
16	1	FMV-8	Main Spindle
17	1	44022	Ball Bearing
18	1	FMR-54	Nut for Main Spindle
19	1	FMR-31	Back Piece
20	1	46014	Circlip
21	3	44026	Steel Ball
22	1	FMR-32	Locking Nut