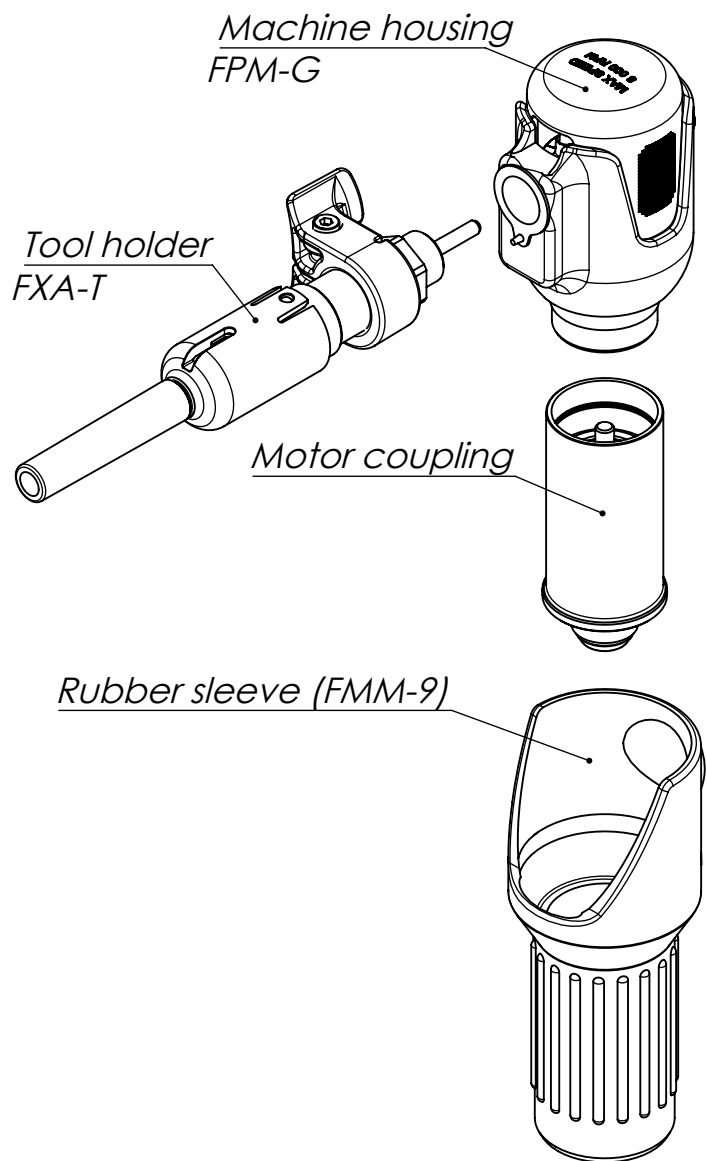
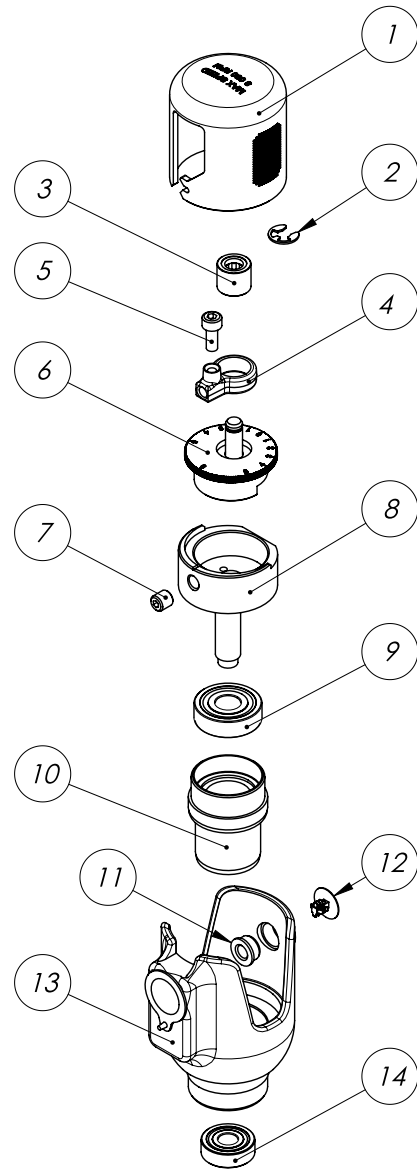


FPS/R - Spare Parts list



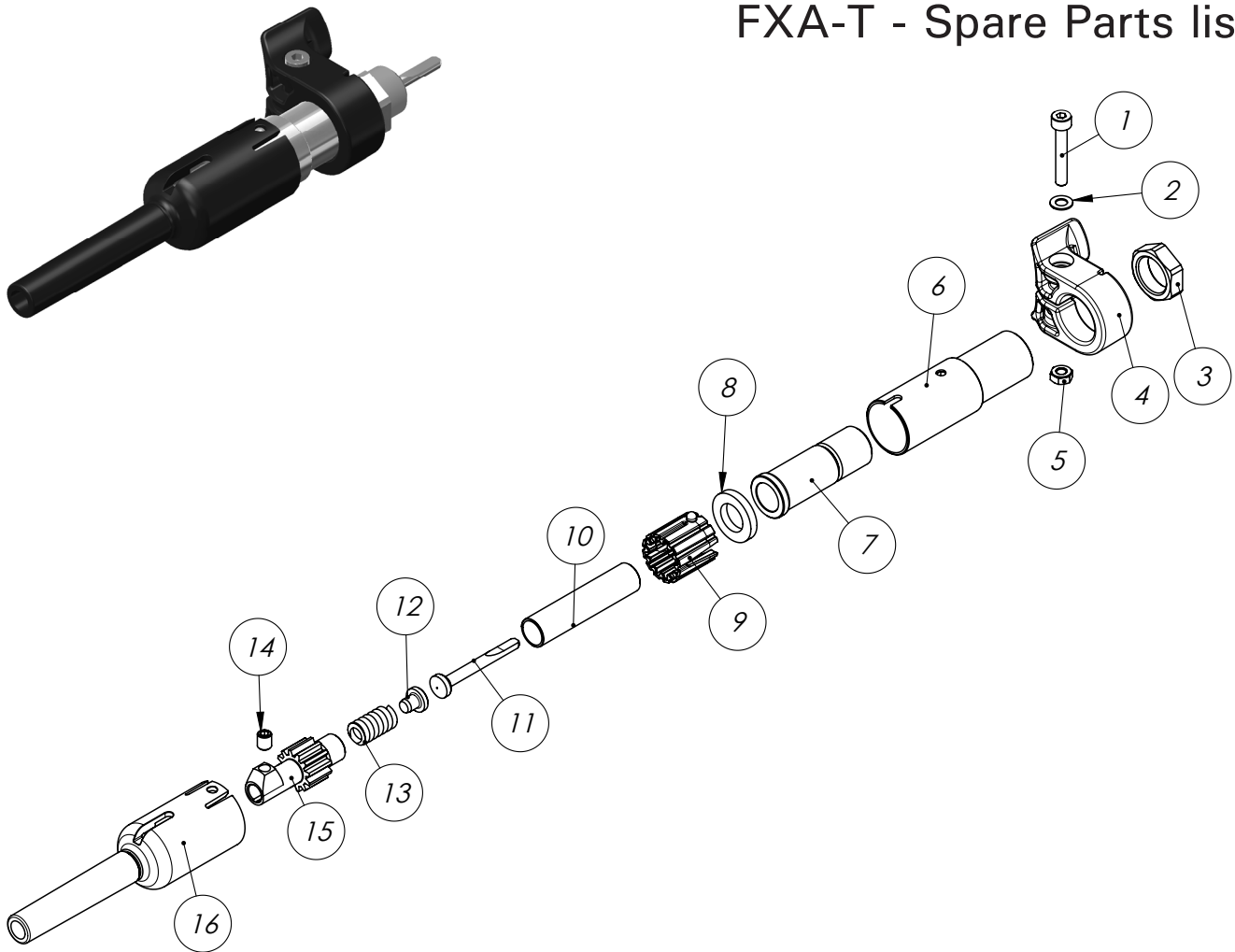


FPM-G - Spare Parts list



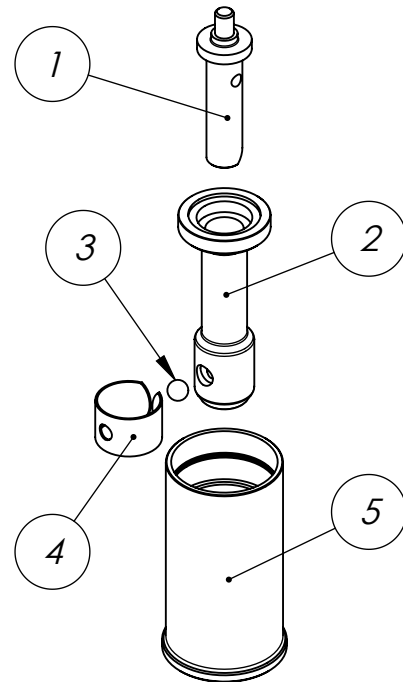
Pos.	Item No.	Description.	Units / machine	Sub-Assembly
1.	FMM-3	Machine cover	1	
2.	FNE-47	Circlip	1	
3.	FNE-102	Needle bearing	1	FNH-L
4.	FNH-11	Linkage	1	
5.	42053	Screw for connecting rod	1	
6.	FMM-K	Adjustable eccentric with shaft	1	
7.	FNE-61	Locking screw	1	
8.	FPM-1	Main spindle	1	
9.	44029	Ball bearing	1	
10.	FPM-2	Bushing	1	FPM-E
11.	FNB-2	Steel bushing	1	
12.	FPM-33	Plastic rivet	1	
13.	FPM-K	Machine housing with tool-holder pin	1	
14.	44030	Ball bearing	1	

FXA-T - Spare Parts list



Pos.	Item No.	Description.	Units / machine	Sub-Assembly
1.	42001	Screw	1	
2.	41000	Washer	1	
3.	FNH-21	Retaining nut	1	
4.	FXA-107	Guide block	1	
5.	40000	Nut	1	
6.	FXA-100	Guide sleeve	1	
7.	FXA-102	Supporting sleeve	1	
8.	FXA-106	Lubricating felt	1	
9.	FXA-103	Guide bushing	1	
10.	FXA-105	Piston	1	
11.	FNH-14	Connecting rod	1	FXA-V
12.	FNH-16	Spring insert	1	
13.	FNH-17	Spring	1	
14.	42055	Tool locking screw	1	
15.	FXA-101	Tool holder part	1	
16.	FXA-104	Extension pipe	1	

Motor Coupling/Flexible Shaft Connection, Ball-joint Key-hole (US standard) Spare Parts list



Pos.	Item No.	Description.	Units / machine
1.	FMS-3	Spindle drive mounting	1
2.	FMS-2	Connecting sleeve	1
3.	STK-7/32"	Steel ball	1
4.	FNC-3	Locking spring	1
5.	FMK-1	Handle sleeve	1