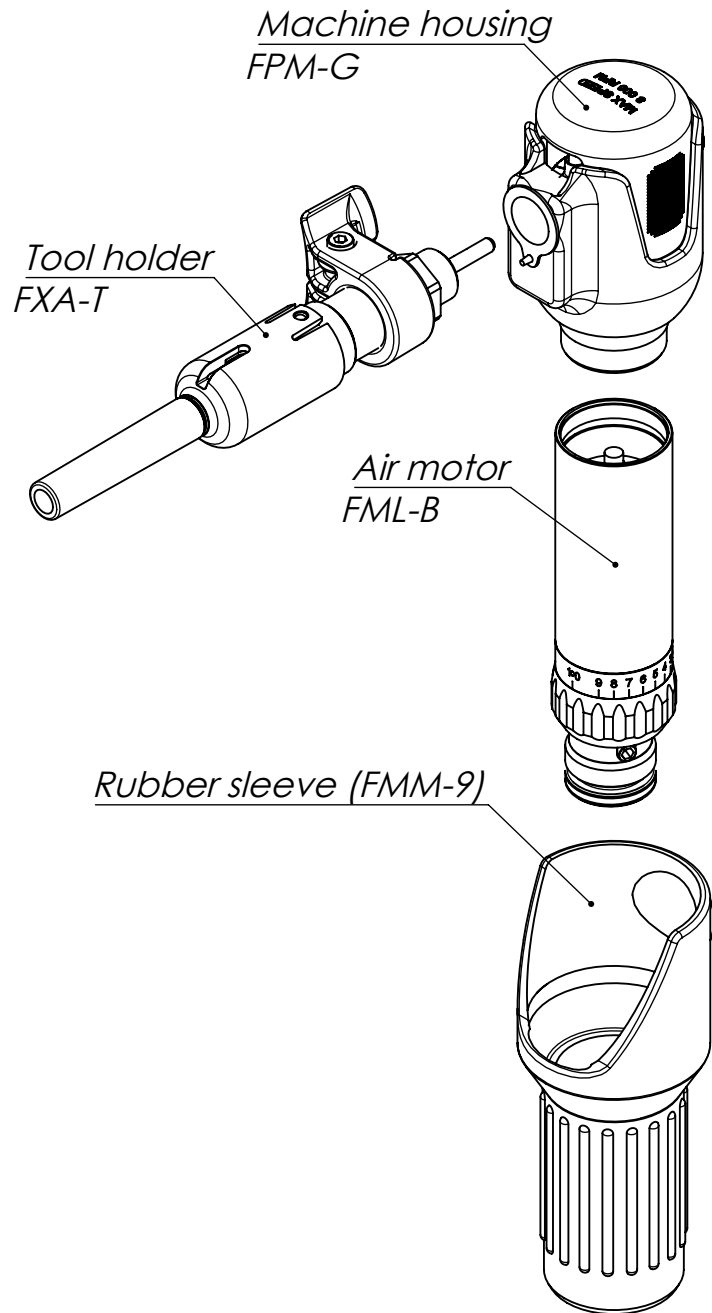
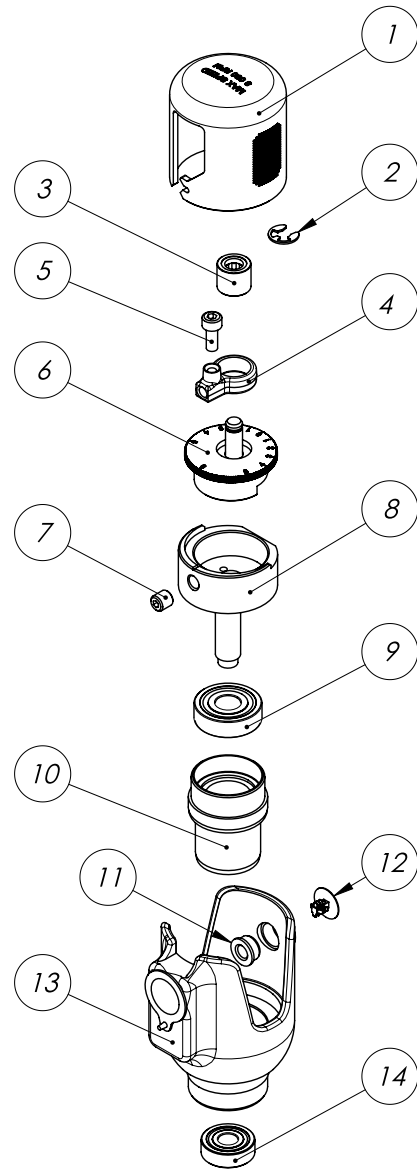


## FPL/R - Spare Parts list



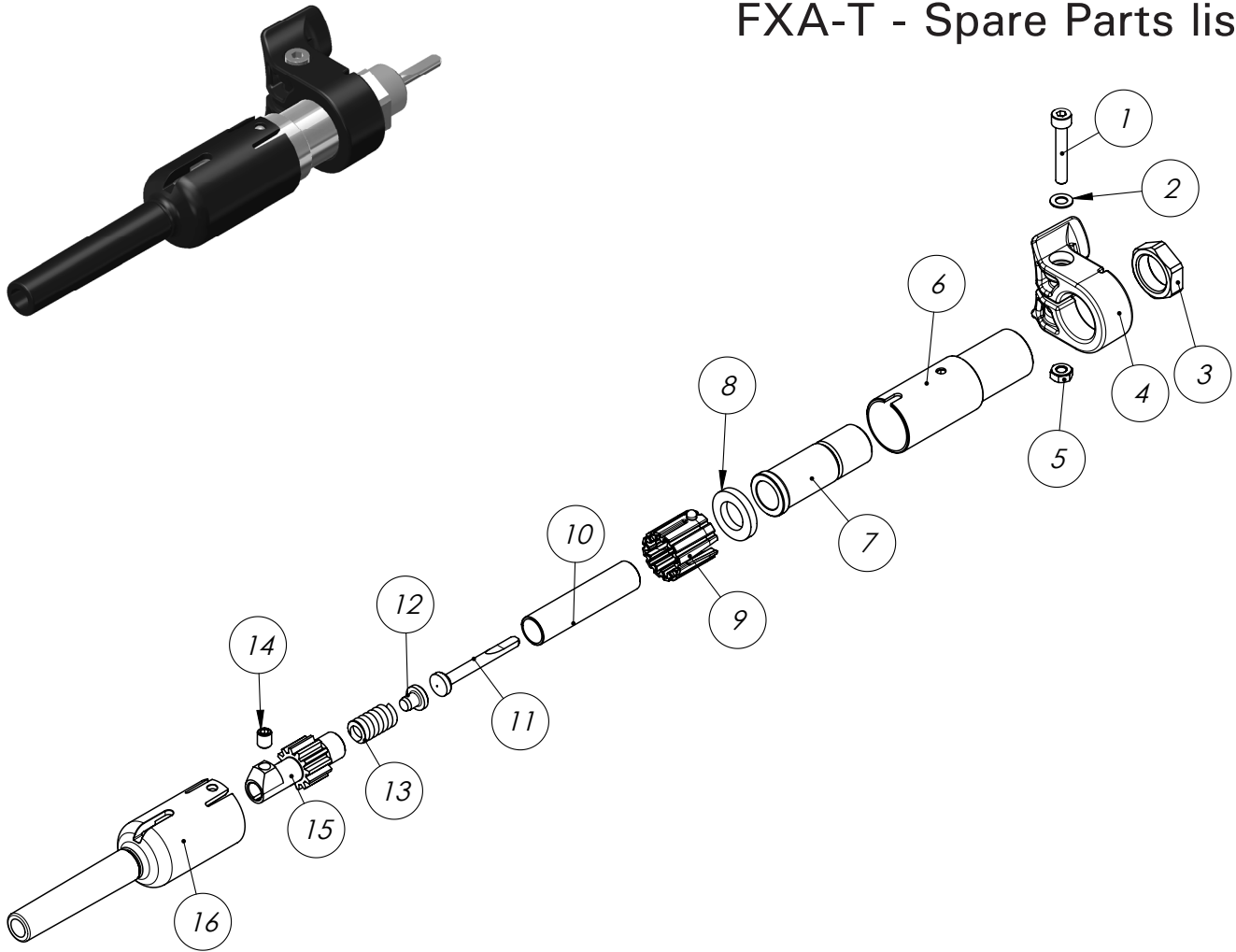


## FPM-G - Spare Parts list



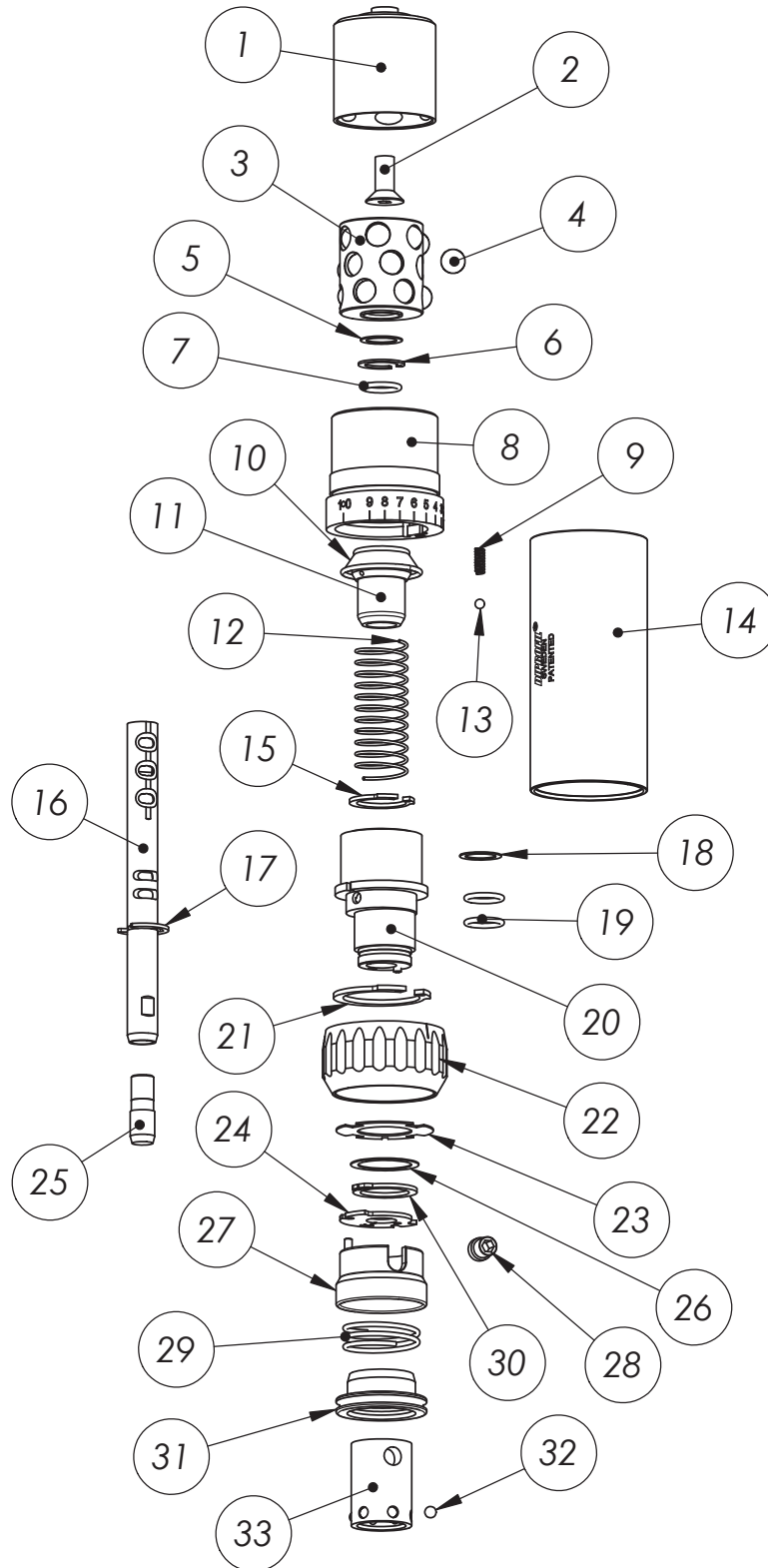
Pos.	Item No.	Description.	Units / machine	Sub-Assembly
1.	FMM-3	Machine cover	1	
2.	FNE-47	Circlip	1	
3.	FNE-102	Needle bearing	1	FNH-L
4.	FNH-11	Linkage	1	
5.	42053	Screw for connecting rod	1	
6.	FMM-K	Adjustable eccentric with shaft	1	
7.	FNE-61	Locking screw	1	
8.	FPM-1	Main spindle	1	
9.	44029	Ball bearing	1	
10.	FPM-2	Bushing	1	FPM-E
11.	FNB-2	Steel bushing	1	
12.	FPM-33	Plastic rivet	1	
13.	FPM-K	Machine housing with tool-holder pin	1	
14.	44030	Ball bearing	1	

## FXA-T - Spare Parts list



Pos.	Item No.	Description.	Units / machine	Sub-Assembly
1.	42001	Screw	1	
2.	41000	Washer	1	
3.	FNH-21	Retaining nut	1	
4.	FXA-107	Guide block	1	
5.	40000	Nut	1	
6.	FXA-100	Guide sleeve	1	
7.	FXA-102	Supporting sleeve	1	
8.	FXA-106	Lubricating felt	1	
9.	FXA-103	Guide bushing	1	
10.	FXA-105	Piston	1	
11.	FNH-14	Connecting rod	1	FXA-V
12.	FNH-16	Spring insert	1	
13.	FNH-17	Spring	1	
14.	42055	Tool locking screw	1	
15.	FXA-101	Tool holder part	1	
16.	FXA-104	Extension pipe	1	

## FML-B - Spare Parts list



## FML-B - Spare Parts list

<b>Pos.</b>	<b>Item No.</b>	<b>Description.</b>	<b>Units / machine</b>
1.	HSL-6	Rotor ring	1
2.	42010	Screw for rotor ring	1
3.	HSL-5	Rotor	1
4.	FND-X18	Steel piston balls	1 set of 18 pcs
5.	HSL-14	Washer	2
6.	HSL-20	Circlip	1
7.	SOR-121P5	O-ring	1
8.	FND-F	Front regulator body with pin	1
9.	HSL-18	Spring	1
10.	HSL-8	Membrane	1
11.	HSL-7	Adjusting sleeve	1
12.	HSL-9	Spring	1
13.	STK-2.5	Steel ball	1
14.	HSL-17	Outer sleeve	1
15.	46003	Circlip	1
16.	HSL-A	Slide shaft with pin	1
17.	46008	Circlip	1
18.	HSL-14	Washer	1
19.	SOR-121P5	O-ring	2
20.	FND-B	Rear regulator body with pin (includes 2 pcs of O-ring SOR-121P5)	1
21.	46005	Circlip	1
22.	HSL-D	Regulating wheel	1
23.	HSL-15	Spring washer	1
24.	HSL-43	Locking washer	1
25.	HSL-23	Filter	1
26.	HSL-24	Washer	1
27.	FND-G	Reversing wheel with pin	1
28.	HSL-45	Lock screw	1
29.	HSL-42	Spring	1
30.	46002	Circlip	1
31.	HSL-44	Lock ring	1
32.	44005	Steel ball	6
33.	HSL-40	Front quick connection	1